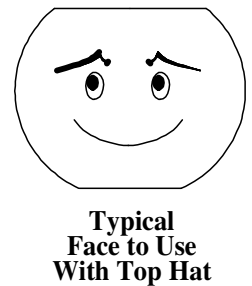
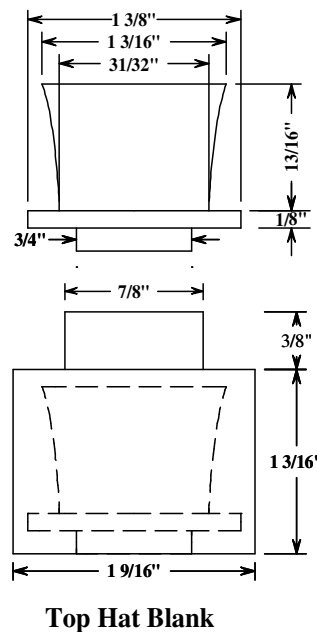
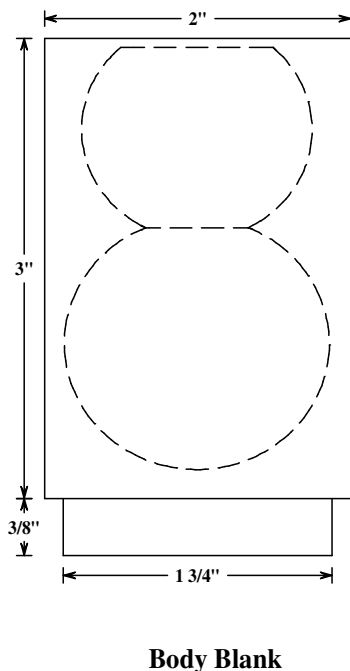
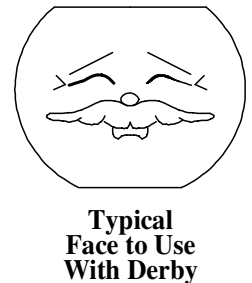
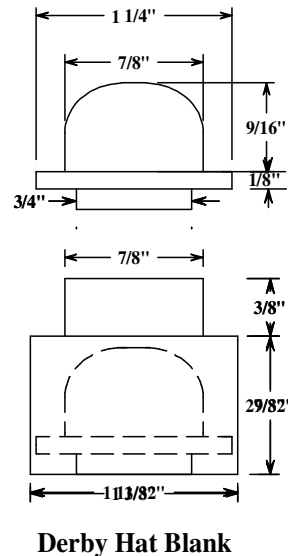
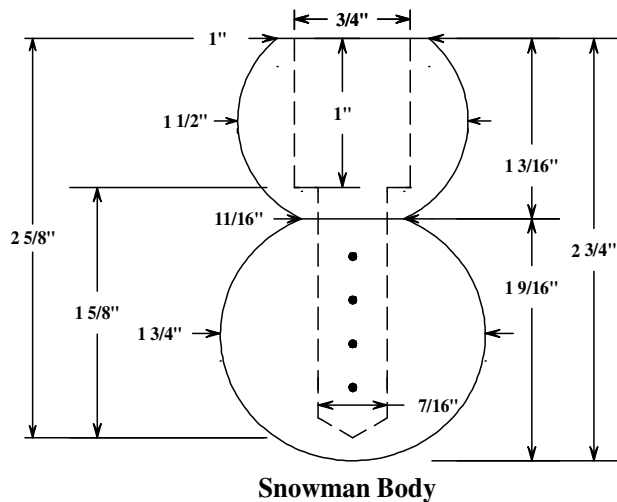


Snowman Ornament

KEYSTONE WOODTURNERS DEMO

NOVEMBER 18, 2015



NOTES:

1. Holly or clear Maple is ideal for the Snowman body. Walnut or Blackwood for the hats.
2. Take the dimensions shown as suggestions. Experiment with variations until you find something pleasing.
3. Your choice for a hanging loop should be fastened into the center of the hat.